

Ball Non-Return Valves

PN16/235PSI/Class125

Spherical Rubber Disc

BSEN1074-3 and BSEN12334

Flange Dimension EN1092-2, ANSI B16.1 Class 125



CF970-B

2" - 24"

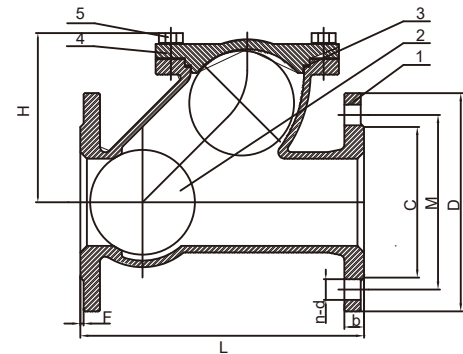
Hydraulic Pressure Test	
Body	2.4Mpa/24Bar

Pressure Rating	
EPDM	-20°C-120°C
NBR	-10°C-80°C

Materials List

No	Part	Specification	BS EN	ASTM
1	Body	Ductile Iron	BSEN 1563	A536 65-45-12
2	Ball	Steel/Rubber	Steel+EPDM/NBR	
3	Sealing Ring	Rubber	NBR	NBR
4	Bonnet	Ductile Iron	BSEN 1563	A536 65-45-12
5	Bolt	Stainless Steel	BS970 304S	AISI 304

* Applicable to water supply and drainage pipelines



Dimensions

mm	50	65	80	100	125	150	200	250	300	350	400	500	600
In	2	2½	3	4	5	6	8	10	12	14	16	20	24
L	203	216	241	292	330	356	495	622	698	787	914	978	1295
H	108	132	151	198	210	270	368	471	531	613	690	882	1050
D	165	185	200	220	250	285	340	405	460	520	580	715	840
M	125	145	160	180	210	240	295	355	410	470	525	650	770
C	99	118	132	156	184	211	266	319	370	429	480	609	720
b	19	19	19	19	19	19	20	22	24.5	26.5	28	31.5	36
F	3	3	3	3	3	3	3	3	4	4	4	4	4
n-d	4-19	4-19	8-19	8-19	8-19	8-19	12-23	12-28	12-28	16-28	16-31	20-34	20-37